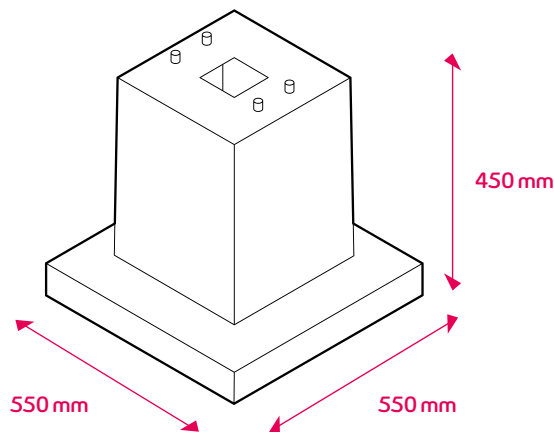


# Concrete foundation

## Data sheet

The concrete foundation forms the basis for installing the innogy AC charging infrastructure for the ePoleDuo, eStations and poles. Four threaded rods are embedded in the concrete foundation which enable the product to be fixed in place. All supply lines can be fed in easily due to the central cable duct.



### Key features

- Compatible with all innogy AC products for vertical mounting
- Enables free-standing mounting of the AC products
- Maximum flexibility with choice of location for the charging infrastructure

### Included in delivery

- Concrete foundation
- Incl. four embedded threaded rods

### General and electrical data

Dimensions	H x W x D: 450 mm x 550 mm x 550 mm
Weight	Approx. 100 kg
Material	Concrete
Number of threaded rods	4

### innogy eMobility Solutions GmbH

Flamingoweg 1  
44139 Dortmund  
Germany

emobility@innogy.com  
innogy-emobility.com