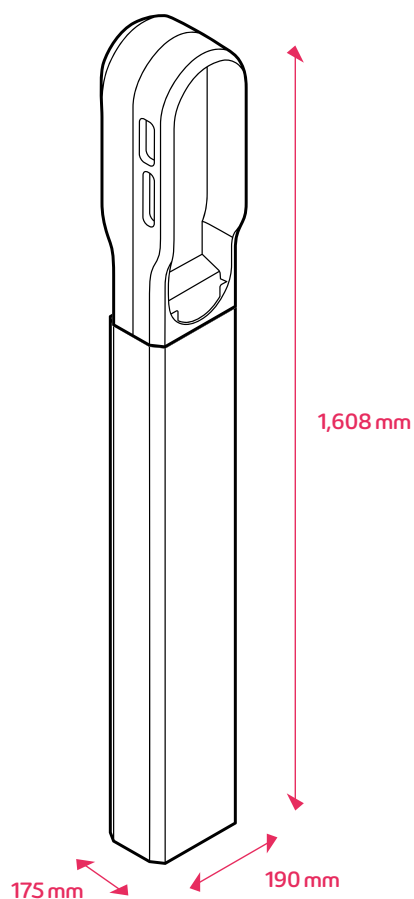


ePoleDuo

Data sheet

The ePoleDuo presents an elegant solution for positioning two eBoxes anywhere you like. The ePoleDuo has been designed for the eBox variants smart, professional and touch, with or without cables, and is optionally available with cable holder. Two supply lines allow charging in parallel of unrestricted capacity up to 22 kW per charging port.



ePoleDuo is also available
as a short variant.
Height of ePoleDuo short:
1,280 mm

Key features

- Elegant charging pole for 2 eBoxes with plug or cable
- Available with 2 eClick and 2 eBoxes smart, professional or touch
- Parallel charging of 2 electric vehicles up to 22 kW
- Meter reading via lateral vision panel

ePoleDuo

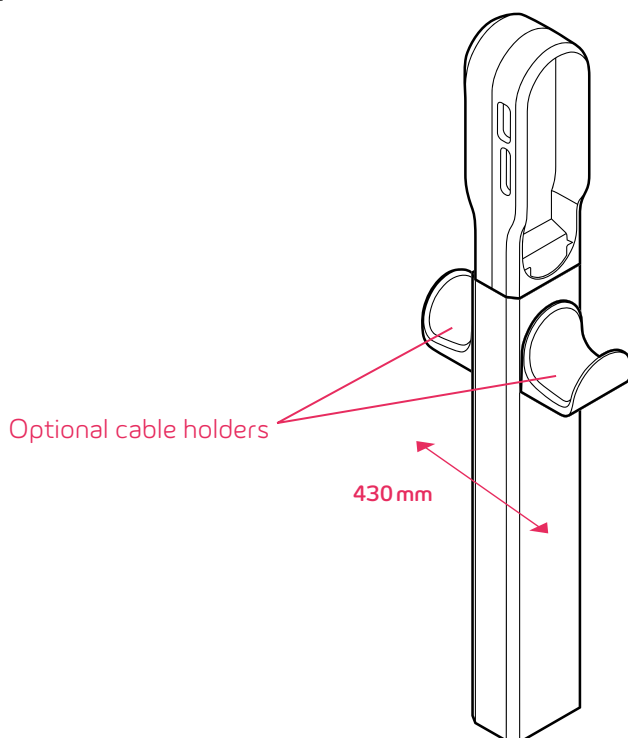
Data sheet

General and electrical specifications

Dimensions (H x W x D:)	1,608 mm x 190 mm x 175 mm (without cable holders) 1,608 mm x 190 mm x 427 mm (with 2 cable holders)
Installation type	As a stand-alone on: Concrete foundation Spacer
Electrical supply line	Dual supply line (one supply line per charging port) Bottom entry only, max. cross section per supply line 10 mm ²
Weight	19.3 kg/17 kg (short)/1.5 kg per cable holder
IP	None (no electric components) IP55 (with eBox)

Optional additional accessories

- Cable holders
- eSmartMeter



innogy eMobility Solutions GmbH

Flamingoweg 1
44139 Dortmund
Germany

emobility@innogy.com
innogy-emobility.com